

Verderflex

Vantage 3000 P R3i



VERDERFLEX®

Verderflex Vantage 3000 P R3i Specification	
Pump head	Aluminium, Powder Coated, Perspex Front Cover
Control Options	Analogue Inputs (0-10V DC / 4 to 20mA), Potentiometer (10kΩ), Remote Stop / Start / Reverse (Footswitch Option Available) Digital Interface (RS232)
Software Features	Keypad Lock, Memory Dose, Dispensing, 10 Program Memory Dose
Display	2 Line Alphanumeric Display
Motor	24 Hour Duty Brushless DC
Rotor	Anodised Aluminium Nylatron® Rollers
Power Supply	85 - 265V AC 50/60Hz with Fuseless Resettable Switch
Speed	10 to 250 RPM
Temperature	5°C - 40°C
Protection Class	IP66
Standard Tube	Verderprene, Silicone (Tygon®, Viton® : some sizes to special order)
Tube Sizes	6.4 x 3.2mm, 8.0 x 3.2mm, 9.6mm x 3.2mm
Weight	5 kg

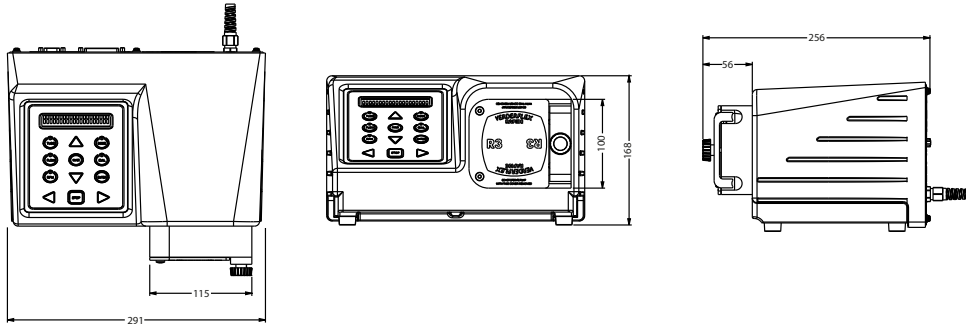
Flow Rates

Tube (ID x WT)	RPM	Flow ml/min	Flow l/hr
6.4 x 3.2 mm	10	55	3.3
6.4 x 3.2 mm	120	660	39.6
6.4 x 3.2 mm	200	1100	66
6.4 x 3.2 mm	250	1375	82.5
8.0 x 3.2 mm	10	97	5.8
8.0 x 3.2 mm	120	1164	69.8
8.0 x 3.2 mm	200	1940	116.4
8.0 x 3.2 mm	250	2425	145
9.6 x 3.2 mm	10	130	7.8
9.6 x 3.2 mm	120	1560	93.6
9.6 x 3.2 mm	200	2600	156
9.6 x 3.2 mm	250	3250	195

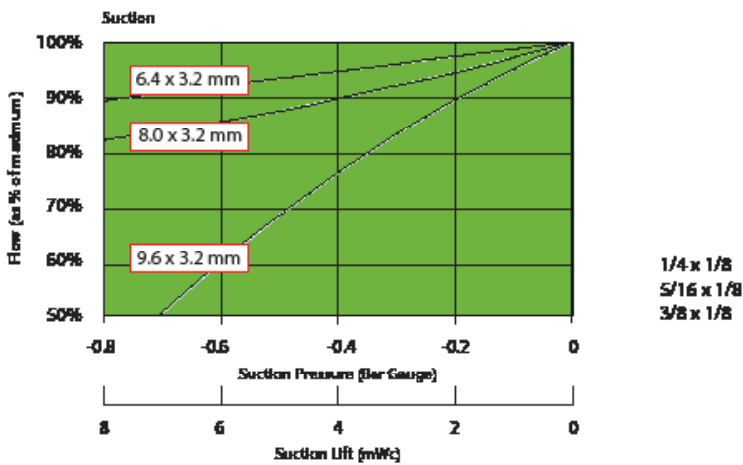
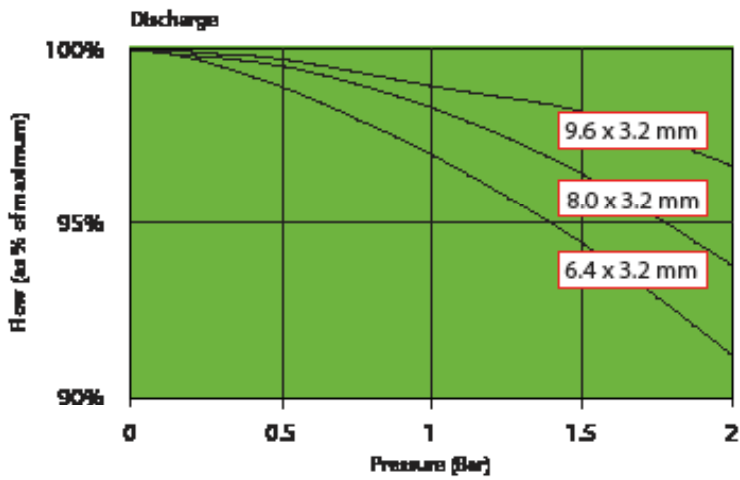
Flows are typical and were measured with water at 20°C with no suction lift or discharge pressure. Actual flows will vary according to suction conditions, discharge pressure and normal component production tolerances.



Verderflex Vantage 3000 P R3i



All dimensions are in mm.
All dimensions and weights are for guidance only.



Find your local supplier
at www.verderflex.com

For construction installation and floor mounting drawings
please contact your local authorised Verderflex® distributor.